



LEFROY BROOKS

1 8 2 8 T R O U T M A N S T R E E T
R I D G E W O O D N E W Y O R K N Y 1 1 3 8 5 U S A
T : + 1 (7 1 8) 3 0 2 5 2 9 2 F : + 1 (7 1 8) 3 0 2 4 1 7 7

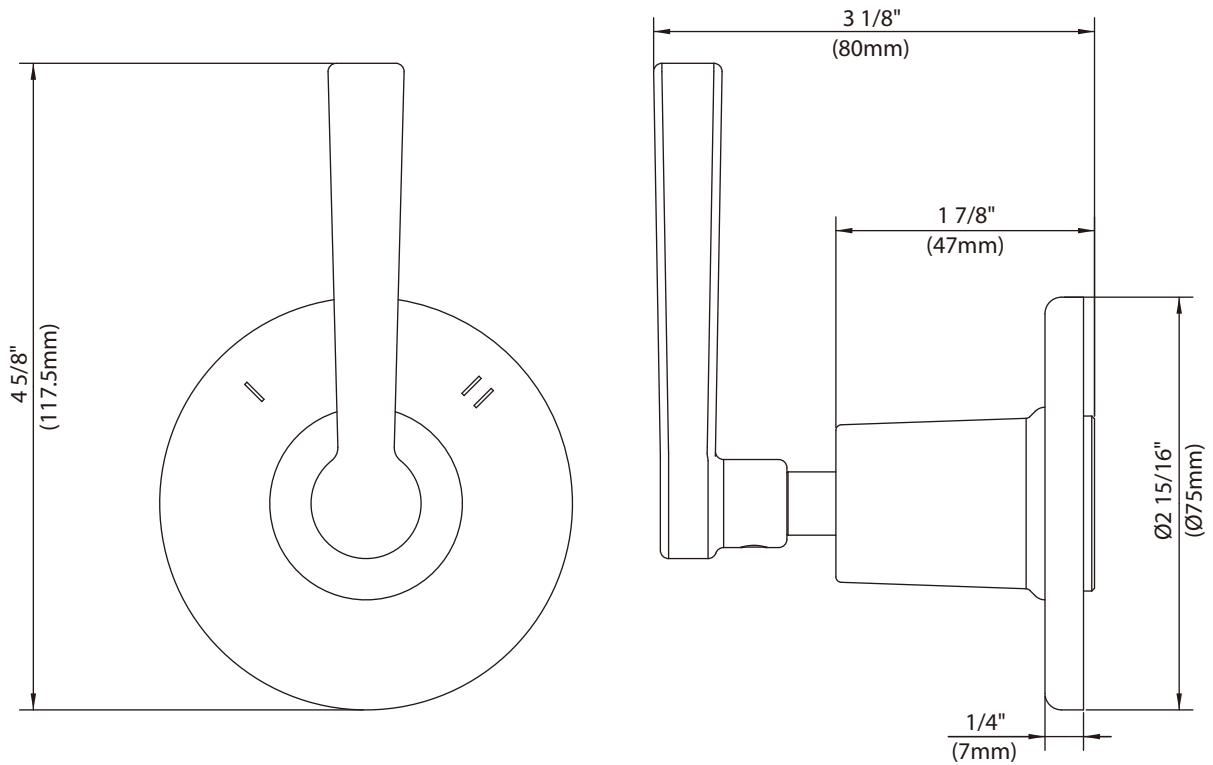
M1-1011

LEVER TWO-WAY WALL DIVERTER TRIM ONLY, TO SUIT R1-4000
ROUGH

DIMENSIONAL DATA SHEET

DATE: 22 August 2013

No: A66F099



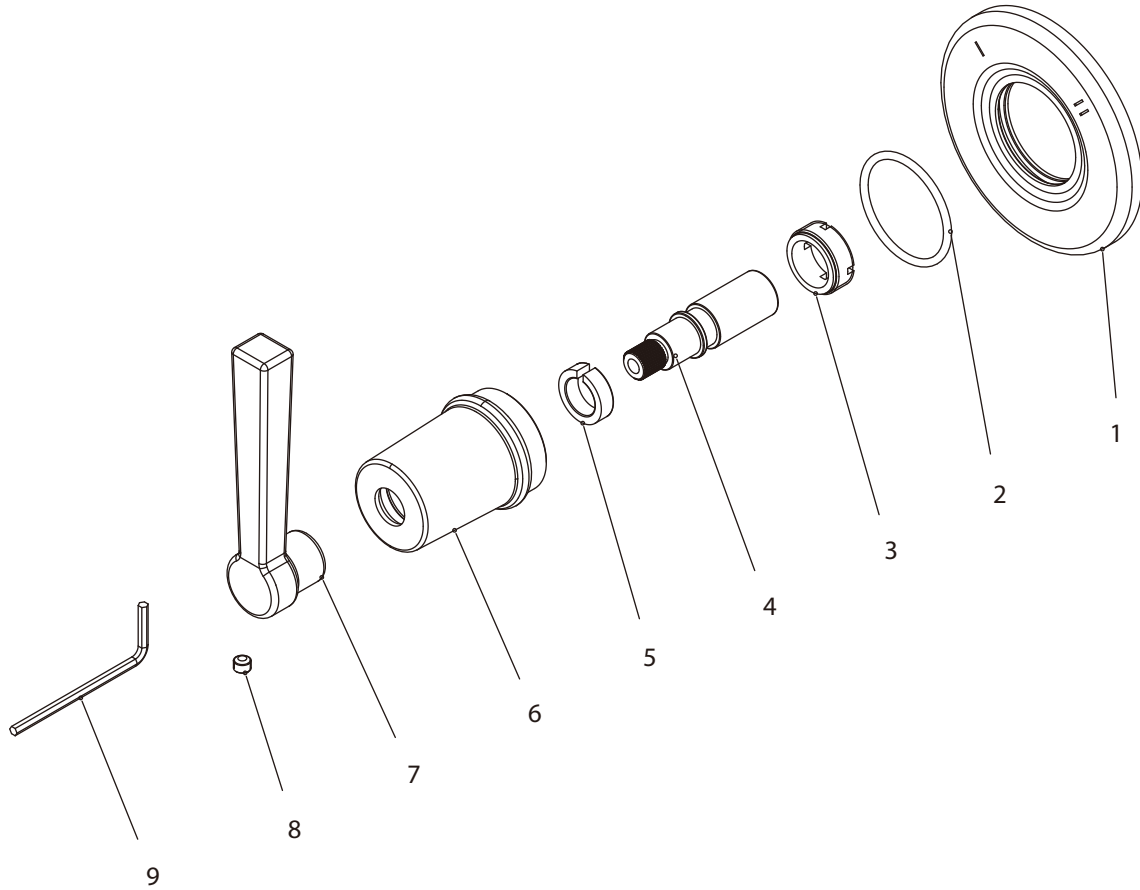
COPYRIGHT © LBIP LTD 2012. ALL RIGHTS RESERVED.

DIMENSIONS IN INCHES & MILLIMETRES

WHILST EVERY EFFORT IS MADE TO ENSURE THE ACCURACY OF THESE DATA SHEETS THEY ARE SUBJECT TO CHANGE WITHOUT NOTICE AS PART OF THE COMPANY'S PRODUCT DEVELOPMENT PROCESS

M1-1011

LEVER TWO-WAY WALL DIVERTER TRIM ONLY, TO SUIT R1-4000 ROUGH



1	Escutcheon (071279-54)	4	Adaptor (067773)	7	Handle (029686)
2	O-ring (004044)	5	Clip (012242)	8	Set screw (292598)
3	Adaptor (057507)	6	Canopy (018014)	9	Allen key (031000)

Standards

IAPMO/cUPC Listed
Meets A112.18.1
ADA Compliant

Please note :
Final achievable flow rate is dependent on the outlets fitted, see relevant outlets (spouts, roses, sprays) for fully assembled product flow rate.